

Mouse SPGM-PULSAR-LITE

User manual



Features :

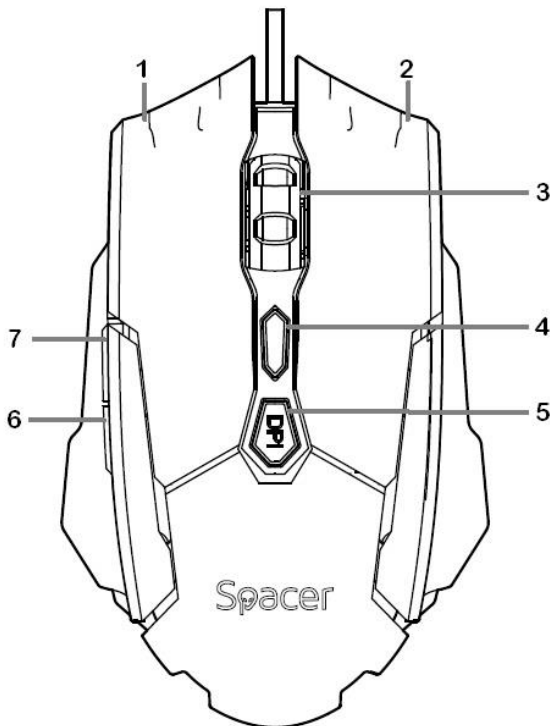
- Instant 704C IC optical engine
- 4 colors, breathing effect
- Plug & play, no drivers required
- Requires 1 USB port availed

Technical details:

- Adjustable resolution: 3200 DPI
- Size: 124 x 74 x 39 mm
- No. of buttons: 7/1
- Weight: 105g

Instructions for use

1. Open the box and carefully extract the product.
2. Connect the USB cable of the product to your device (PC, Laptop, Smartphone, Tablet) following the correct alignment with the USB port.
3. Wait for the operating system to detect and configure the mouse by following the instructions on your system screen.



Button explanations

1. Left button: performs traditional mouse functions such as click, double click and drag.
2. Right button: performs the traditional right mouse click function.
3. Scroll button: Tap and rotate lightly to browse the Internet or browse open documents.
4. Fire key: performs the double-click function during video games
5. DPI: adjusts the mouse resolution from the available options 800/ 1200 (default) / 2400/ 3200
6. Back: performs the traditional back function in online browsing, for example.
7. Forward: performs the traditional forward function in online browsing, for example.

Package contents: wired mouse, user manual.

Safety instructions

Cable protection. Do not damage the connecting cable. Avoid pulling or twisting the cord where it joins the device. Avoid children and pets.

Protect the product from moisture. Do not expose this product to rain or damp air. Protect the product from liquids.

Protect the product from fire and heat sources. Keep the product away from fire or other sources of heat (stoves, radiators, etc.).

Disposing of the product. Do not dispose of the product or other electronic components with your household waste. Use only specialized electronic waste collection centers.



Waste Disposal:

The adjacent symbol indicates that your product and / or its battery must be disposed of separately from household waste in accordance with local laws and regulations. When this product reaches the end of its life, take it to a collection point designated by the local authorities. For information about the local collection centers, please contact the town hall of your locality or access the page www.ecotic.ro.

Royal Computers declare under our own responsibility that the product conforms with the European directive EMC 2014/30/EU .

