

Mouse SPM-ALIEN-PRO

User manual



Features:

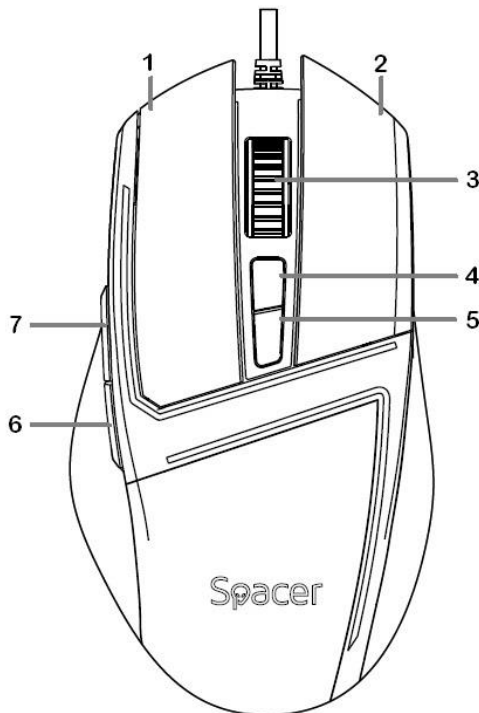
- PixArt PMW3327 IC optical engine
- RGB lighting, 10 modes & off
- Plug & play, no drivers required
- Requires 1 USB port available

Technical details:

- Adjustable resolution: 12.000 DPI
- Size: 139 x 72 x 42 mm
- No. of buttons: 7/1
- Weight: 105g

Instructions for use

1. Open the box and carefully extract the product.
2. Connect the USB cable of the product to your device (PC, Laptop, Smartphone, Tablet) following the correct alignment with the USB port.
3. Wait for the operating system to detect and configure the mouse by following the instructions on your system screen.



Button explanations

1. Left button: performs traditional mouse functions such as click, double click and drag.
2. Right button: performs the traditional right mouse click function.
3. Scroll button: Tap and rotate lightly to browse the Internet or browse open documents.
4. DPI: adjusts the mouse resolution from the available options 1200/ 2400 (default) / 4800/ 6200/ 8000 / 12000
5. RGB lighting: switched between the 10 lighting modes and off
6. Back: performs the traditional back function in online browsing, for example.
7. Forward: performs the traditional forward function in online browsing, for example.

Package contents: wired mouse, user manual

Safety instructions

Cable protection. Do not damage the connecting cable, in case you used it. Avoid pulling or twisting the cord where it joins the device.

Protect the product from moisture. Don't expose the device to rain, water, wetness or high humidity. Avoid the direct contact with water.

Protect the product from fire and heat sources. Don't place it in the near of the heat sources (radiators or other heat producing devices).

Disposing the product. Do not dispose the product or the other electrical and electronic components with consumers waste. Use only specialized electrical and electronic waste collection centers.



Waste disposal:

The crossed-out wheeled-bin symbol on our product or packaging reminds you that, in accordance with local laws and regulations, your product and / or its battery must be disposed of separately from household waste/garbage. When this product reaches the end of its life, take it to a collection point designated by the local authorities. For information about the local collection centers, please contact the town hall of your locality.

Royal Computers declare under our own responsibility that the product conforms with the European directive EMC 2014/30/EU.

